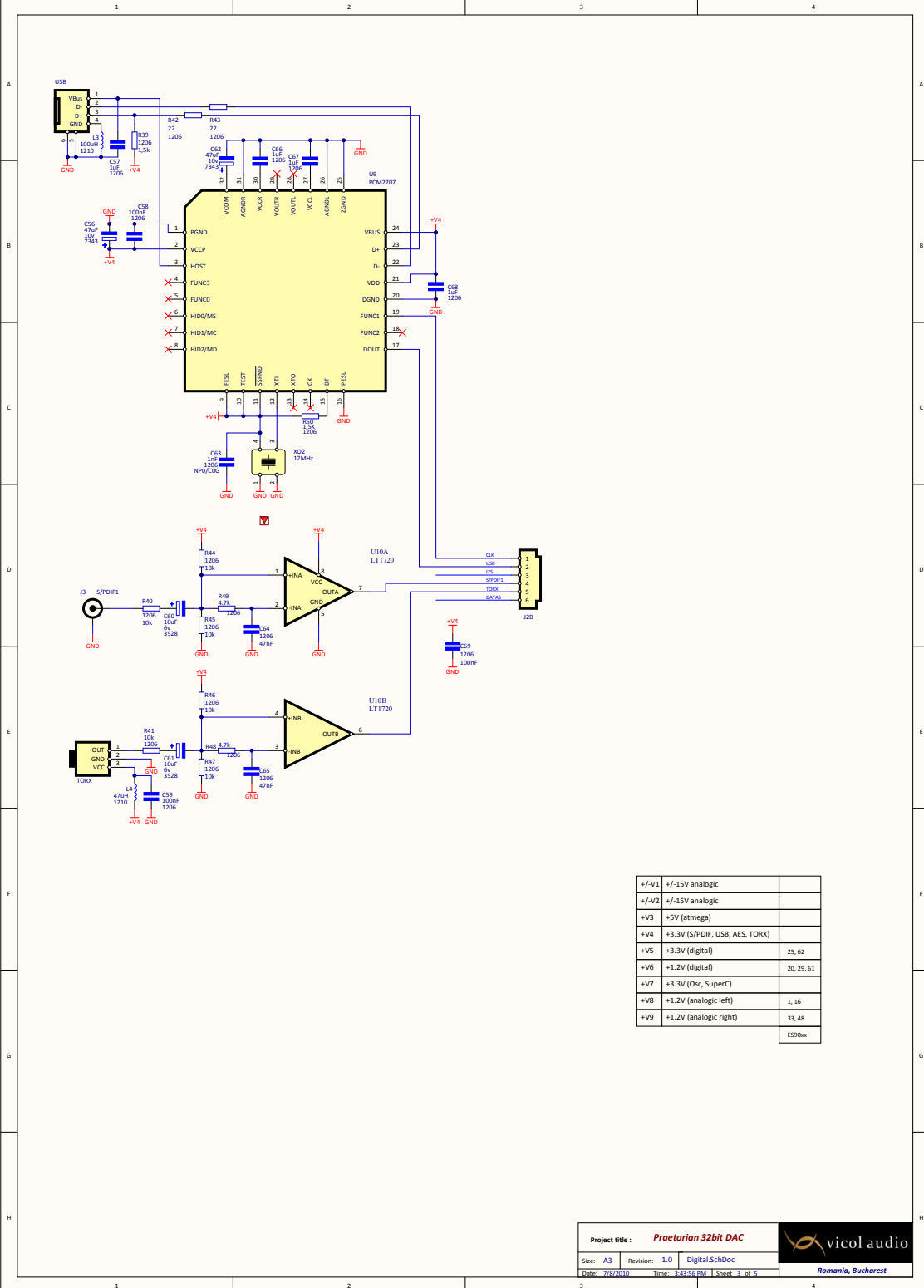


Project title : **Praetorian 32bit DAC**

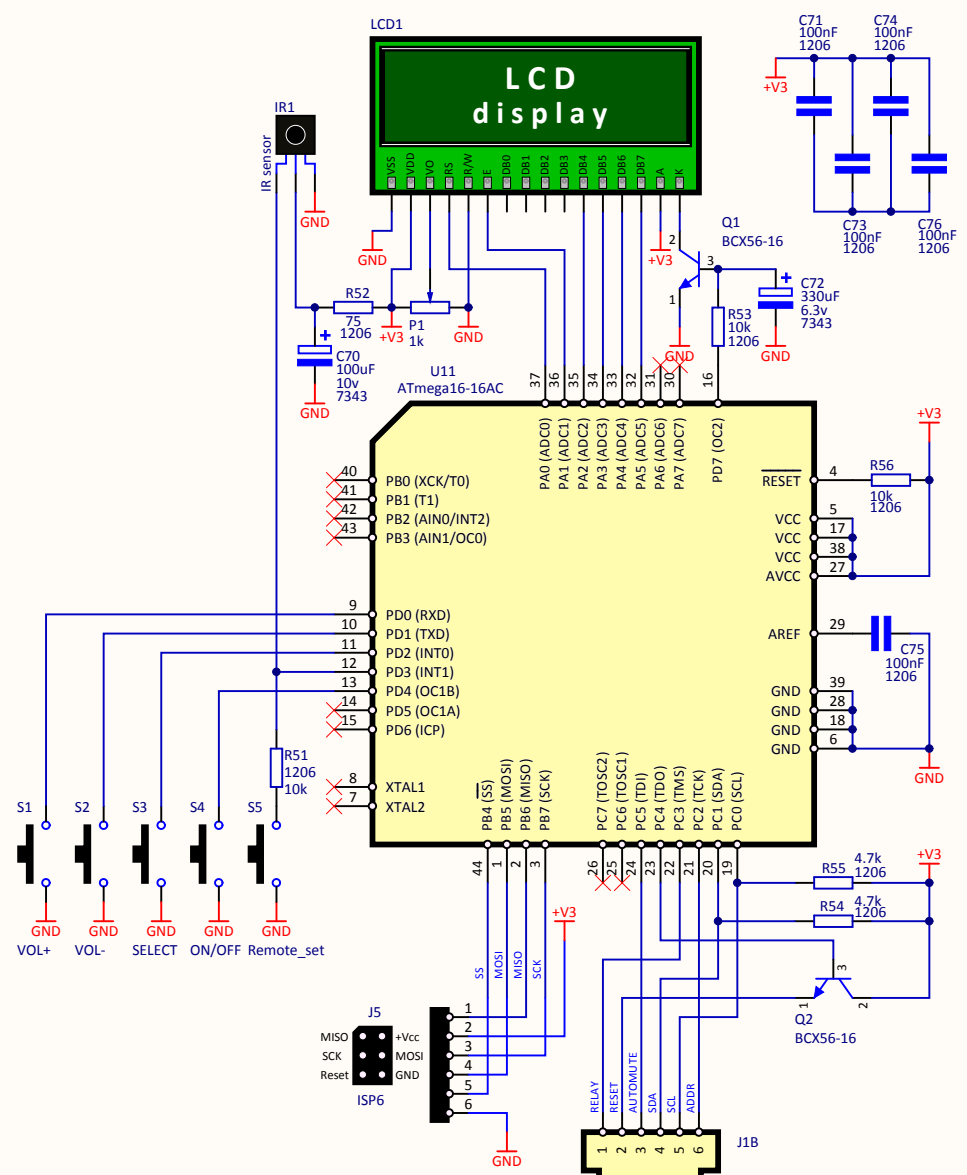


Size: A4  
 Revision: 1.0  
 Date: 7/8/2010 Time: 3:43:56 PM Sheet 2 of 5

Bucharest, Romania



+V1	+/-15V analogic	
+V2	+/-15V analogic	
+V3	+5V (atmega)	
+V4	+3.3V (S/PDIF, USB, AES, TORX)	
+V5	+3.3V (digital)	25, 62
+V6	+1.2V (digital)	20, 29, 61
+V7	+3.3V (Osc, SuperC)	
+V8	+1.2V (analogic left)	1, 16
+V9	+1.2V (analogic right)	33, 48
		ES900xx

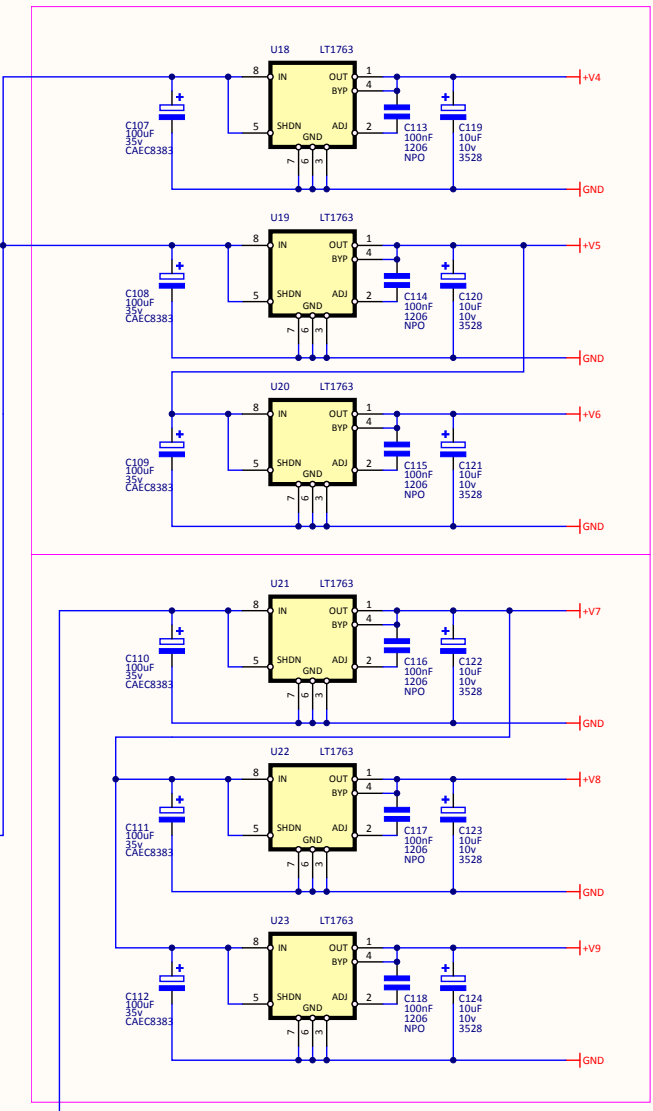
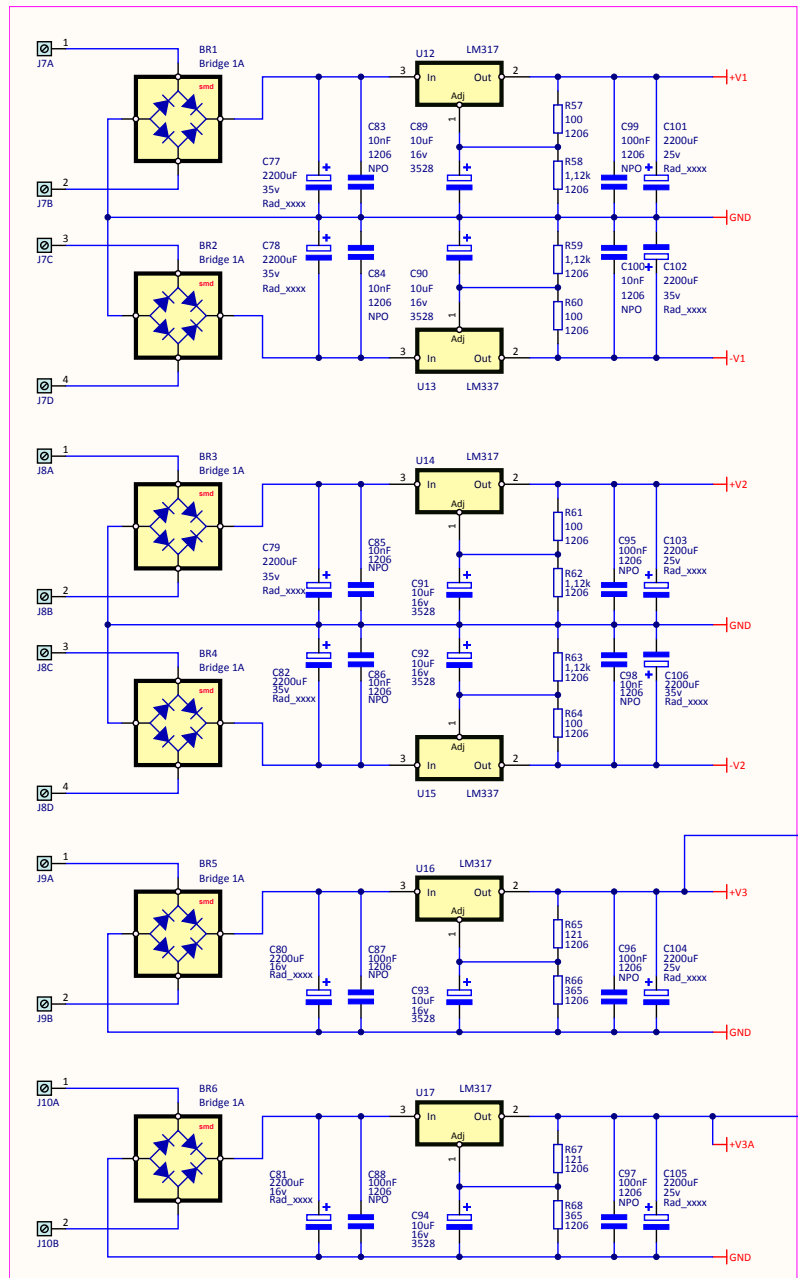


Project title : **Praetorian 32bit DAC**



Size: **A4**      Revision: **1.0**  
 Date: **7/8/2010**      Time: **3:43:56 PM**      Sheet **4** of **5**

**Bucharest, Romania**



+/-V1	+/-15V analogic	
+/-V2	+/-15V analogic	
+V3	+5V (atmega)	
+V4	+3.3V (S/PDIF, USB, AES, TORX)	
+V5	+3.3V (digital)	25, 62
+V6	+1.2V (digital)	20, 29, 61
+V7	+3.3V (Osc, SuperC)	
+V8	+1.2V (analogic left)	1, 16
+V9	+1.2V (analogic right)	33, 48
		ES90xx